

PLAST-AX

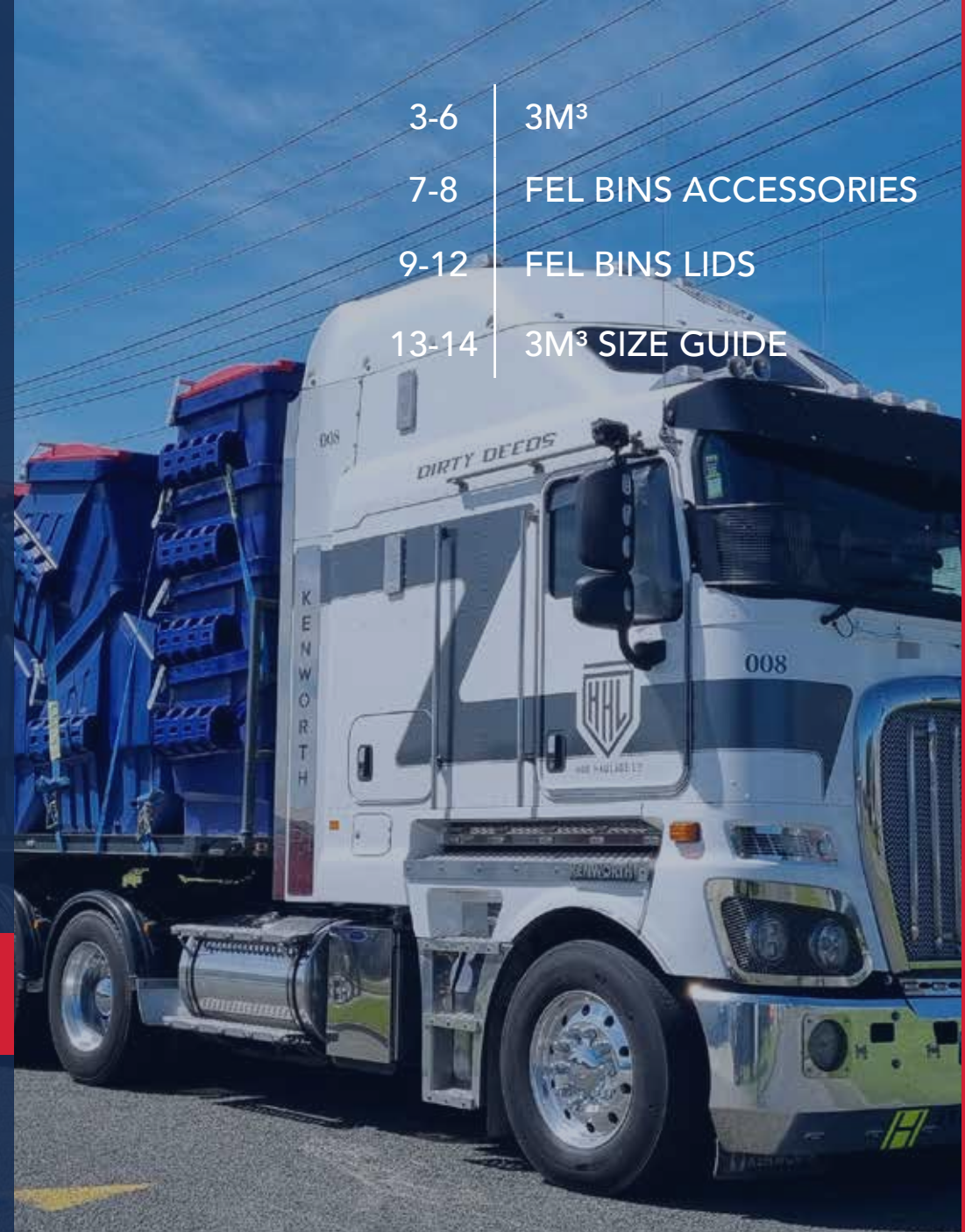
GET THE EDGE

3-6	3M ³
7-8	FEL BINS ACCESSORIES
9-12	FEL BINS LIDS
13-14	3M ³ SIZE GUIDE

FEL BINS: 3M³

AN EXTRACT FROM THE BIN BOOK
AU & NZ EDITION 2

**BIN & LID SOLUTIONS
SPECIALIST SUPPLIER TO INDUSTRY**



3M³ FEL BIN

3M³ FEL BIN

Capacity:	3027 Litres
Dimensions (mm):	2050 x 1550 x 1550 (h)
Fill Height:	1000 mm +160 mm with castors
FEL Fork Width:	1905 mm (centres)
Tare Weight	130 kg
Weight Rating:	1200 kg

Supplied standard with PLAST-AX Left + Right lid pair.

Available with optional lock bar, castor wheels and stainless fixings.



FEL BINS
3m³

PLAST-AX 3m³ FEL
complete with accessories



PLAST-AX supply from stock on hand

3M³ FEL BIN

The 3m³ bin is the most commonly used commercial waste bin in Australia & NZ.

The PLAST-AX 3m³ has a very low fill height, making it really easy to lift the lids and feed waste into.

Like the 4.5m³, it has a very thick base (see testing page 136) to handle a life straight onto concrete, gravel or grass. In these situations traditional steel bins are prone to rusting out(fast) whereas the PLAST-AX bins can sit directly on the ground winter after winter in the wet.

On wheels the PLAST-AX 3m³ is easily manoeuvred by hand.

A PLAST-AX 3m³ on wheels combines the efficiency of a large collection with the added convenience of moving the bin to the waste stream (rather than having to take the waste out to the bin)





PLAST-AX LIDS

In detail

Lids open onto the back ribbed section of the 3m³ and 4.5m³ Bins in a tongue and groove style, so that the entire surface area is in contact (rather than having a single point of impact to stress).

The recess in the top rim creates a nice lift access point; again, utilising the bin rather than impacting the strength integrity of the lid.

1.5M³ & 2M³ LOCKBAR

Our lock bar & brackets are hot dip galvanised and fit up retrospectively to the bins.

The bar and bracket are bolted in to captivated female fixings housed securely in the box section top rim.



WHEELS

In detail

125mm wheel sets are supplied as 2x Fixed Directional, 2x Swivel Braked Castors.

Imaged: 1200kg rated Red Polyurethane (PU) outer on a Cast Iron inner.

Imaged: 600kg rated Blue Rubber on a Black PU inner.

All wheels are supplied with stainless fixings.

3M³ & 4.5M³ LOCKBAR

The same lock bar has been designed to fit both the PLAST-AX 3m³ & 4.5m³ FEL bins.

PLAST-AX lock bars are simple, robust and engineered with suitable tolerances to handle intended conditions of use.



Every lid pair is immaculately uniform.
We are obsessed with this.

PLAST-AX FEL LIDS

PLAST-AX Lids for the FEL Bin range have been a significant move forward for the waste industry, removing the persistent breakage problem with the old style steel bin + plastic lid alternative.

By design, our lids have inherent flex and impact resistance to last in their conditions of use.

PLAST-AX FEL Lids are moulded evenly with big radiuses, strong corners, thick edges, and consistent strength.

Every lid pair sits square, flush, and tight together. It is impossible to achieve this solely at the fitting stage: it is the result of intense design detail.

A nice clean fibreglass hinge rod draws the lids and bin together, secured by a 3mm stainless split pin tidily recessed back between the joins, positioned through a predrilled hole.



Same Left + Right lid pair for
PLAST-AX 1.5m³ and 3m³ FEL Bins

PLAST-AX FEL LIDS

**It's bins and lids together,
that's the key.**

The same one designer, manufacturer,
and supplier for both.

The fibreglass hinge-rod provides
additional tolerance for the bin and
lids to all move together; when there
is an impact, the whole unit flexes
together and returns back to its
original position.

(Conversely, with steel bin hinge rod,
often it's the steel hinge rod that
bends – and stays bent – then leaving
the plastic lid vulnerable out at an
angle; on subsequent empties it is
then the lid that gets damaged. This
is avoided with the PLAST-AX system)

Lids are finished, stored, and stacked
in custom-built stillages at PLASTAX.
We are fanatical with jiggling and
storage of lids to ensure they retain
the right, lasting polymer memory.

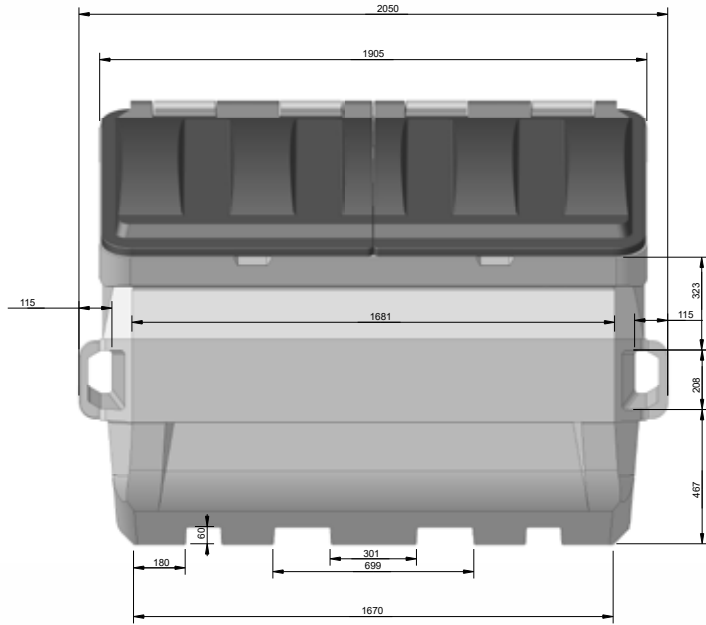
Lid pairs can be supplied in any colour
to suit your company branding or to
assist in directing waste streams: e.g.
Light Grey for cardboard, Yellow for
comingled recycling.



FEL BINS
Features



3mm stainless split pin



3m³ and 4.5m³ stacked for freighting

