

900L Box Pallet Bin

Low 875mm Height - Easy Fill
Stack full bins (with or without lid)

Twin Wall Design

- Smooth Inside
- Easy empty & clean
- Cool Storage Insulation

Design strength:

- Corner Pillar Bracing
- Side Wall & Base Strength Ribbing
- 7mm wall thickness

Low Density Polyethylene (LDPE)

- High impact resistant
- Stress crack resistant
- FDA Approved Food Grade
- Any colour

Accessories:

Twin Skin Stackable Lid

Forklift Rotation

- Fully moulded in M10 fixings
- Galv Steel Fork Channels

64mm Drainage Bung

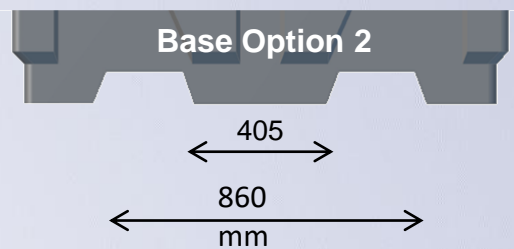
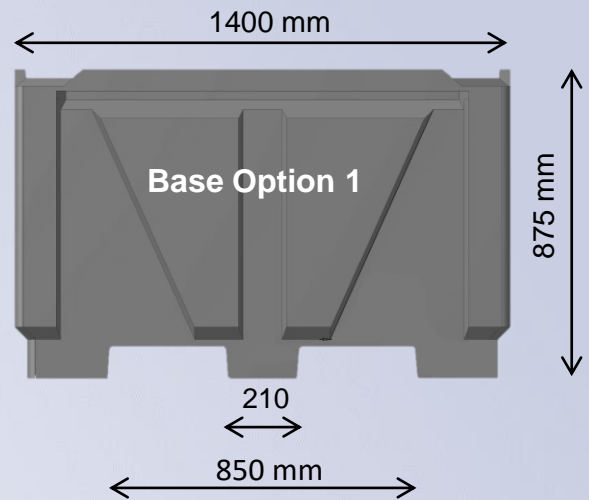
See Full Specifications Page 2



Designed and manufactured in New Zealand

900L Box Pallet Bin

Volume	900L
Height	875 mm
L x W	1400 x 1150 mm
Tare	85kg
Fork Entry	2-Way
Wall Thickness	7mm



Designed and manufactured in New Zealand